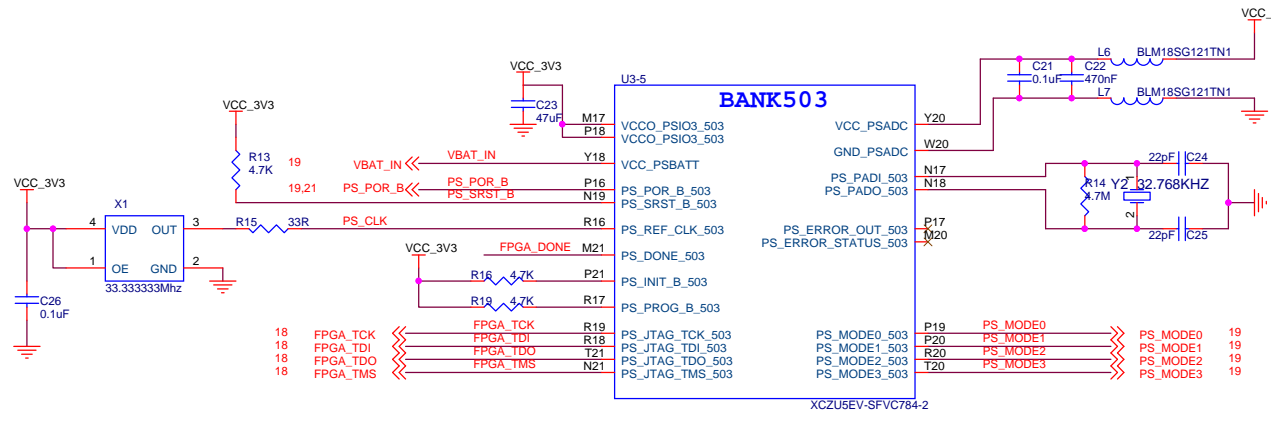
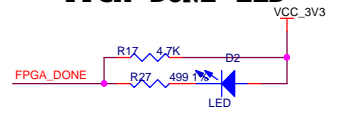


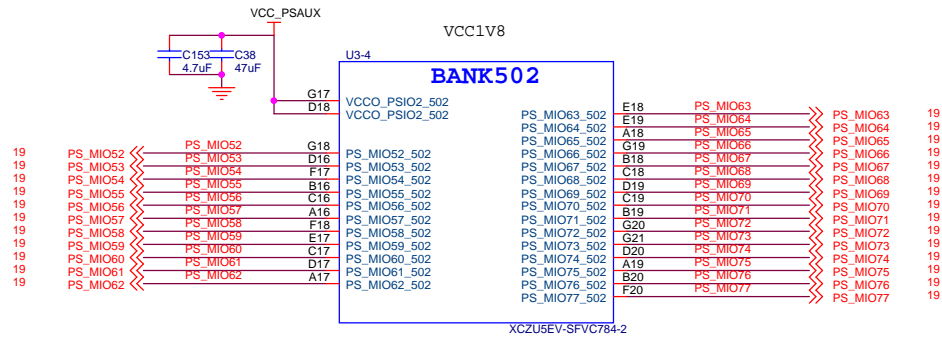
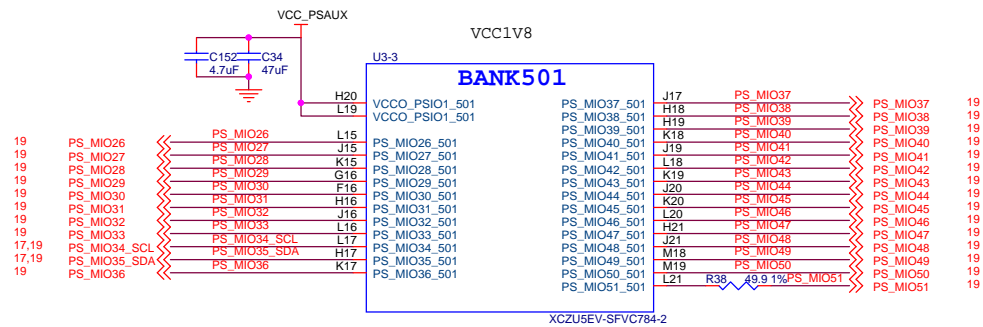
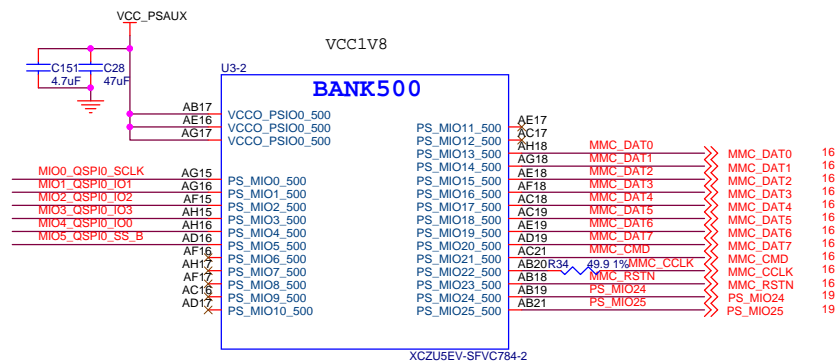
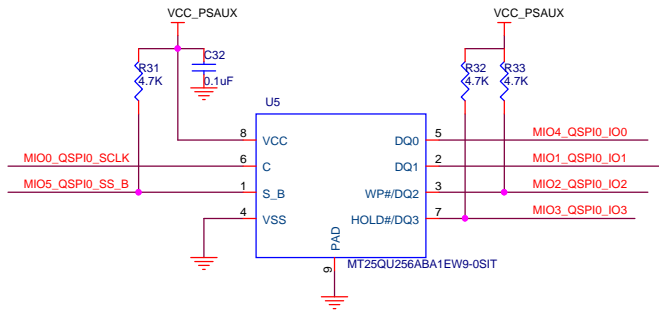
MODE[3:0] BOOT MODE Description

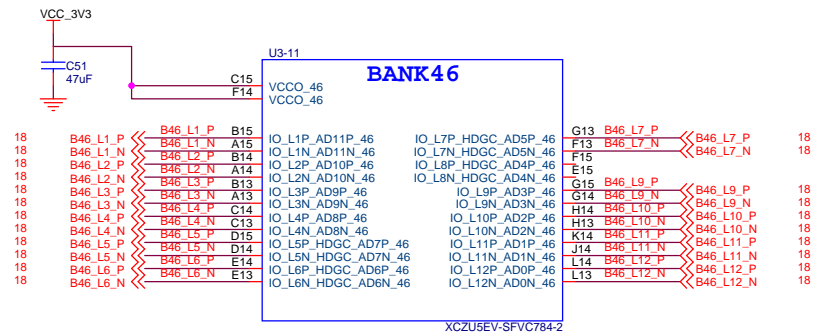
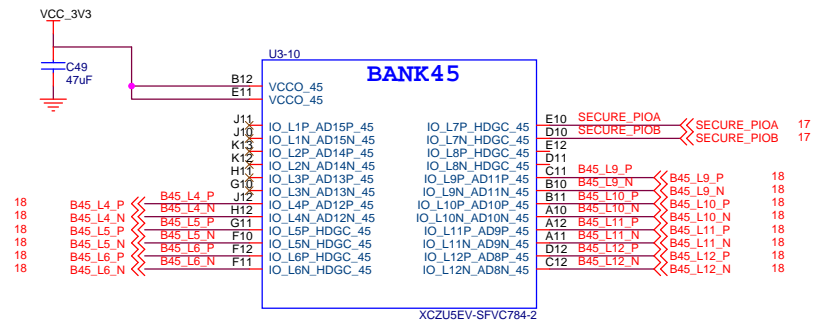
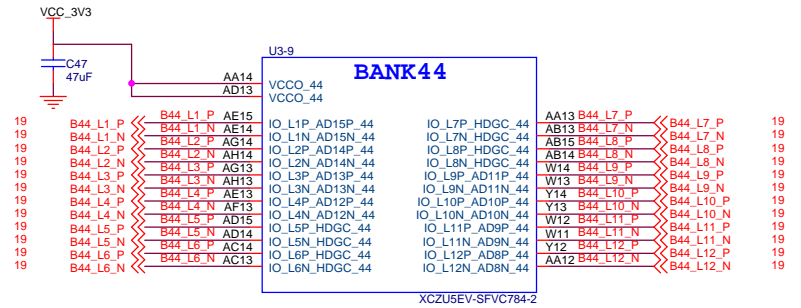
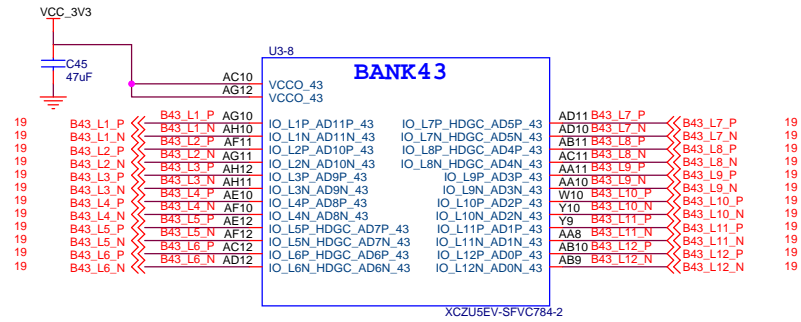
MODE[3:0]	BOOT MODE	Description
0000	PS JTAG	PS JTAG Interface
0001	Quad SPI(24b)	24-Bit addresssing(QSPI24)
0010	Quad SPI(32b)	32-Bit addresssing(QSPI32)
0011	SD0(2.0)	SD2.0
0100	NAND	Requires 8-bit data bus width
0101	SD1(2.0)	SD2.0
0110	eMMC(1.8V)	eMMC version 4.5 at 1.8V
0111	USB0(2.0)	USB 2.0 only
1000	PJTAG(MIO #0)	PJTAG connection 0 option
1001	PJTAG(MIO #1)	PJTAG connection 1 option
1110	SD1 LS(3.0)	SD 3.0

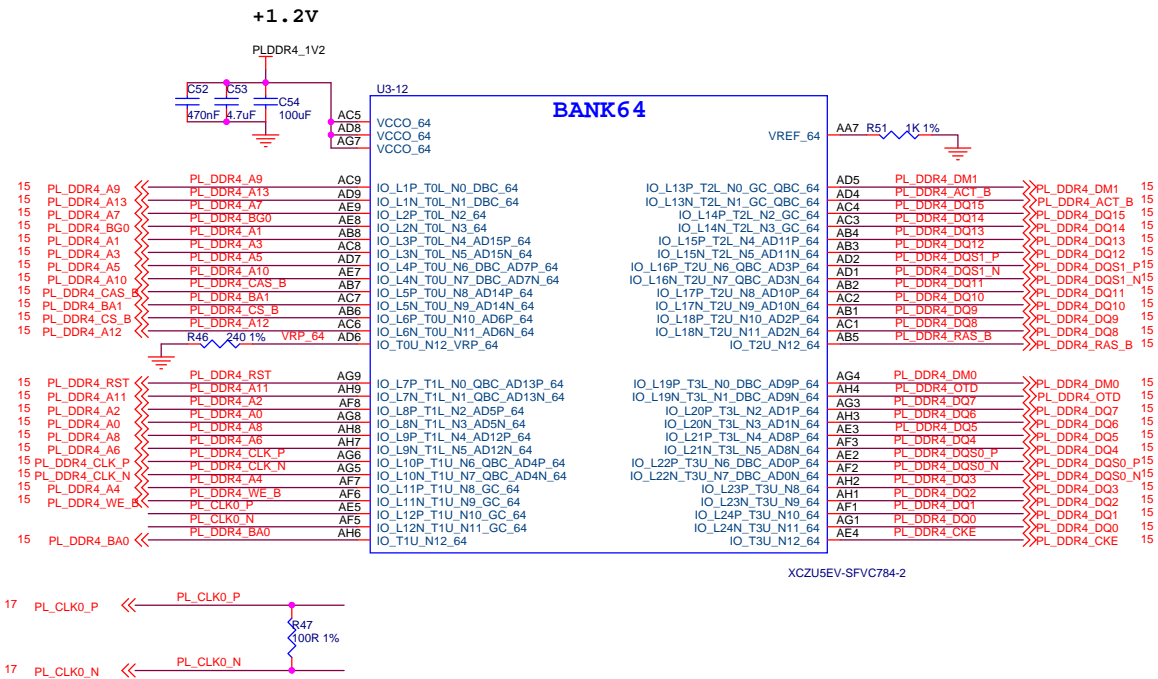


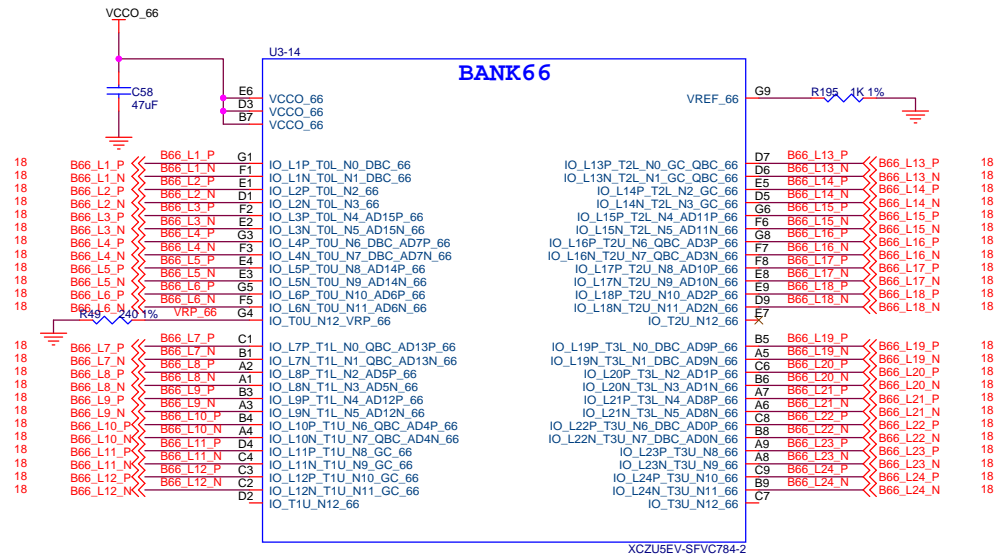
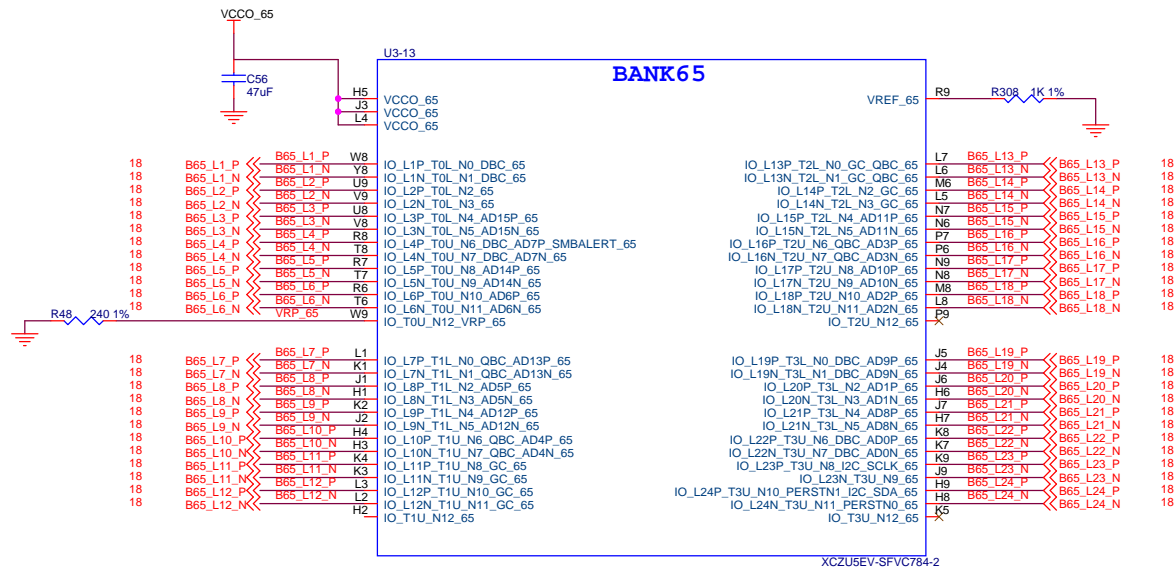
FPGA DONE LED

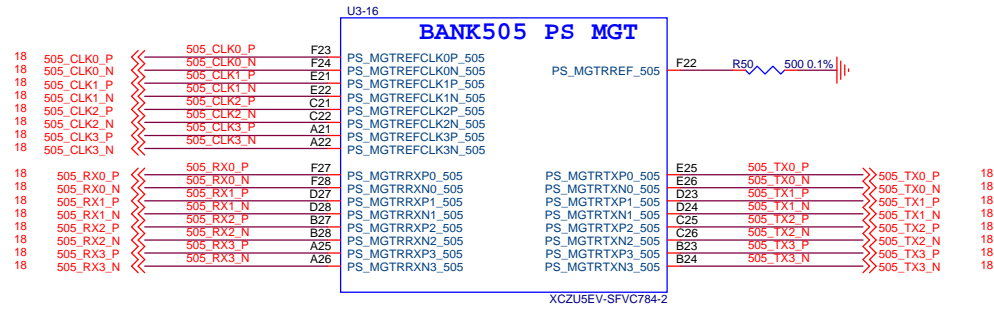


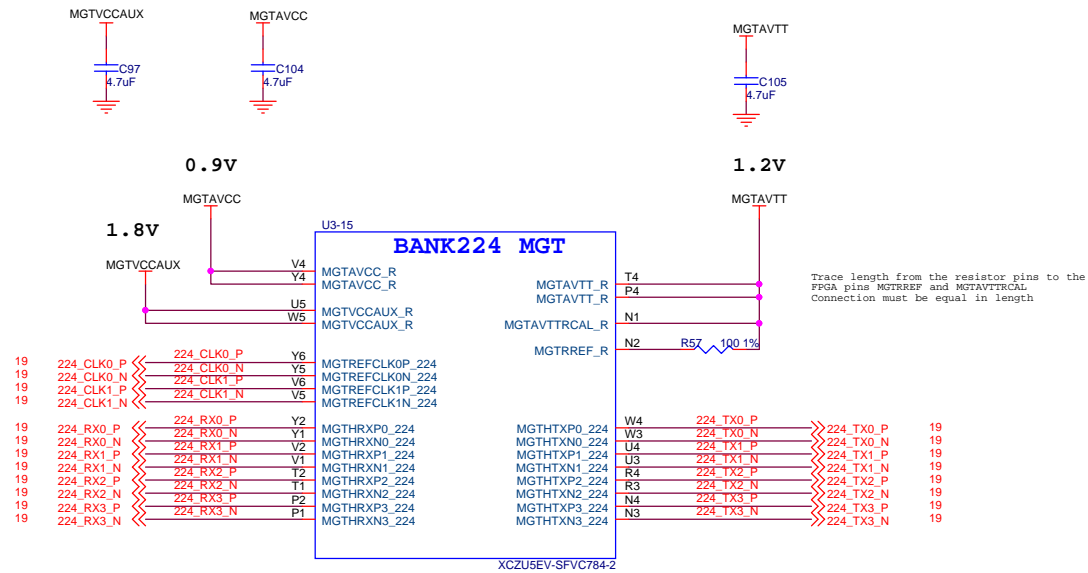


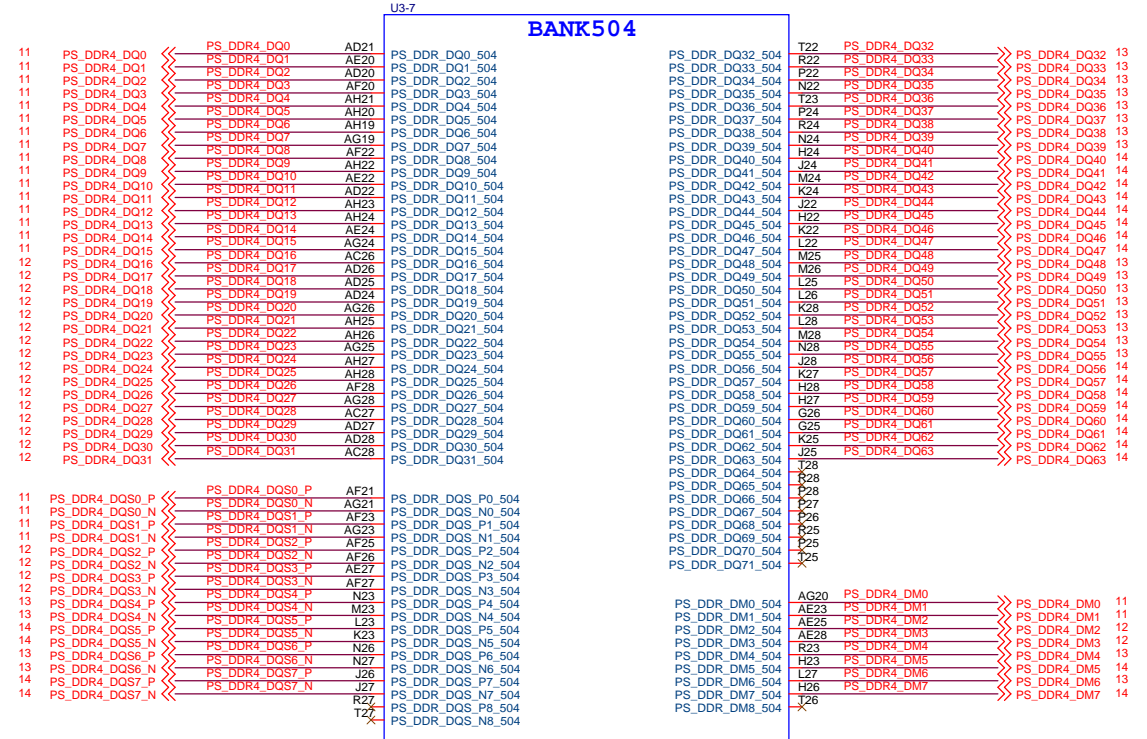
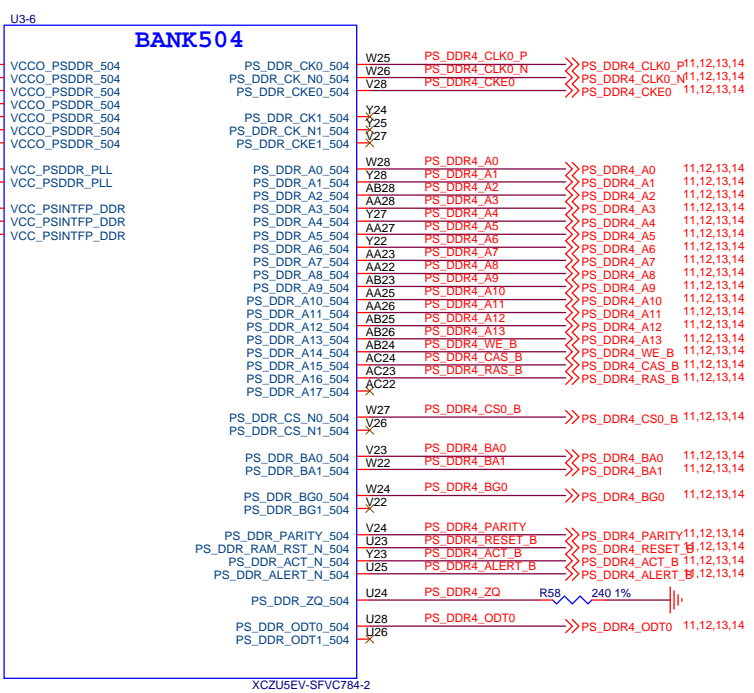
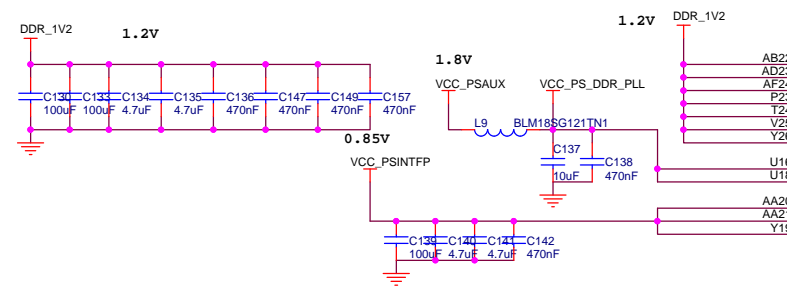


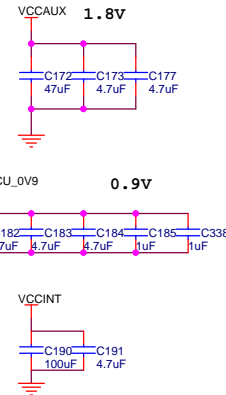
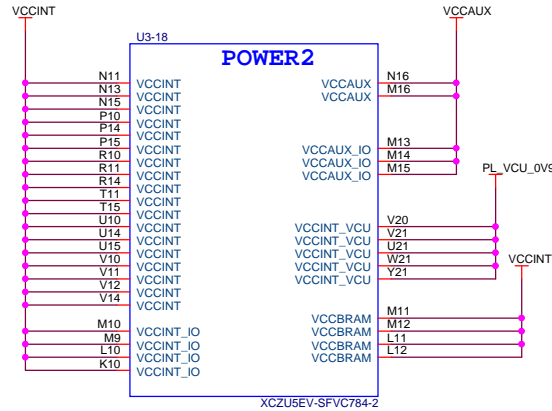
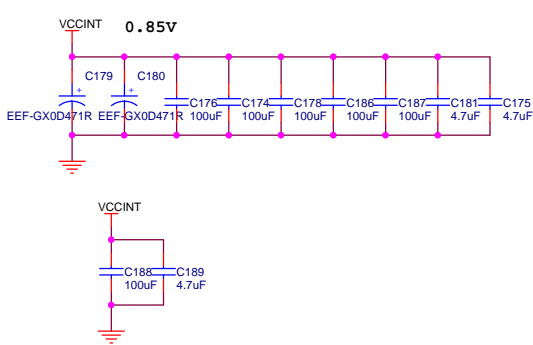
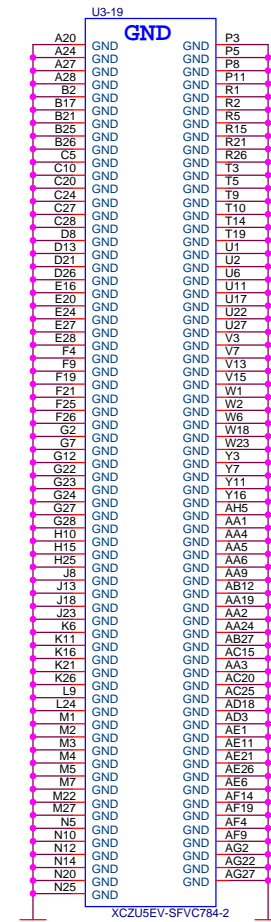
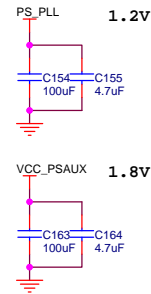
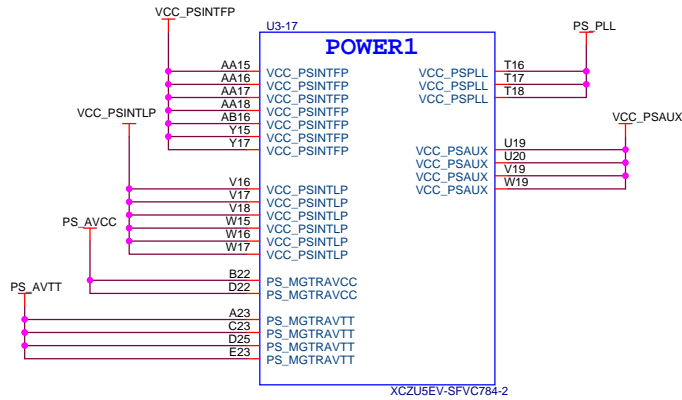
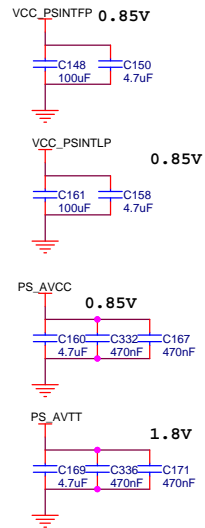


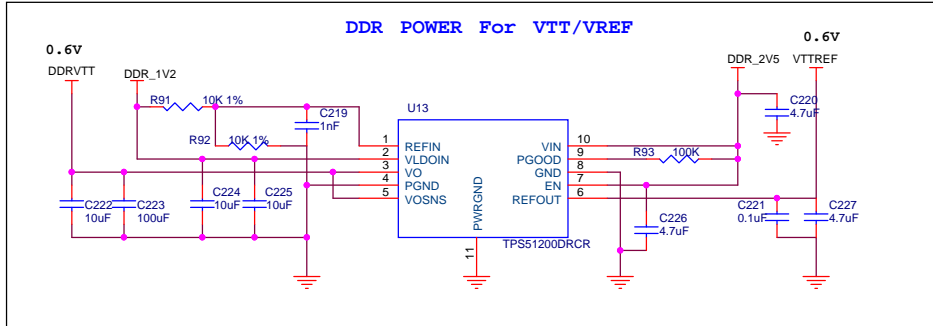
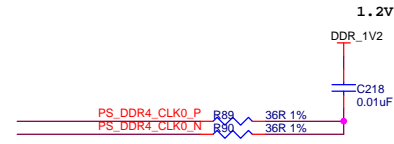
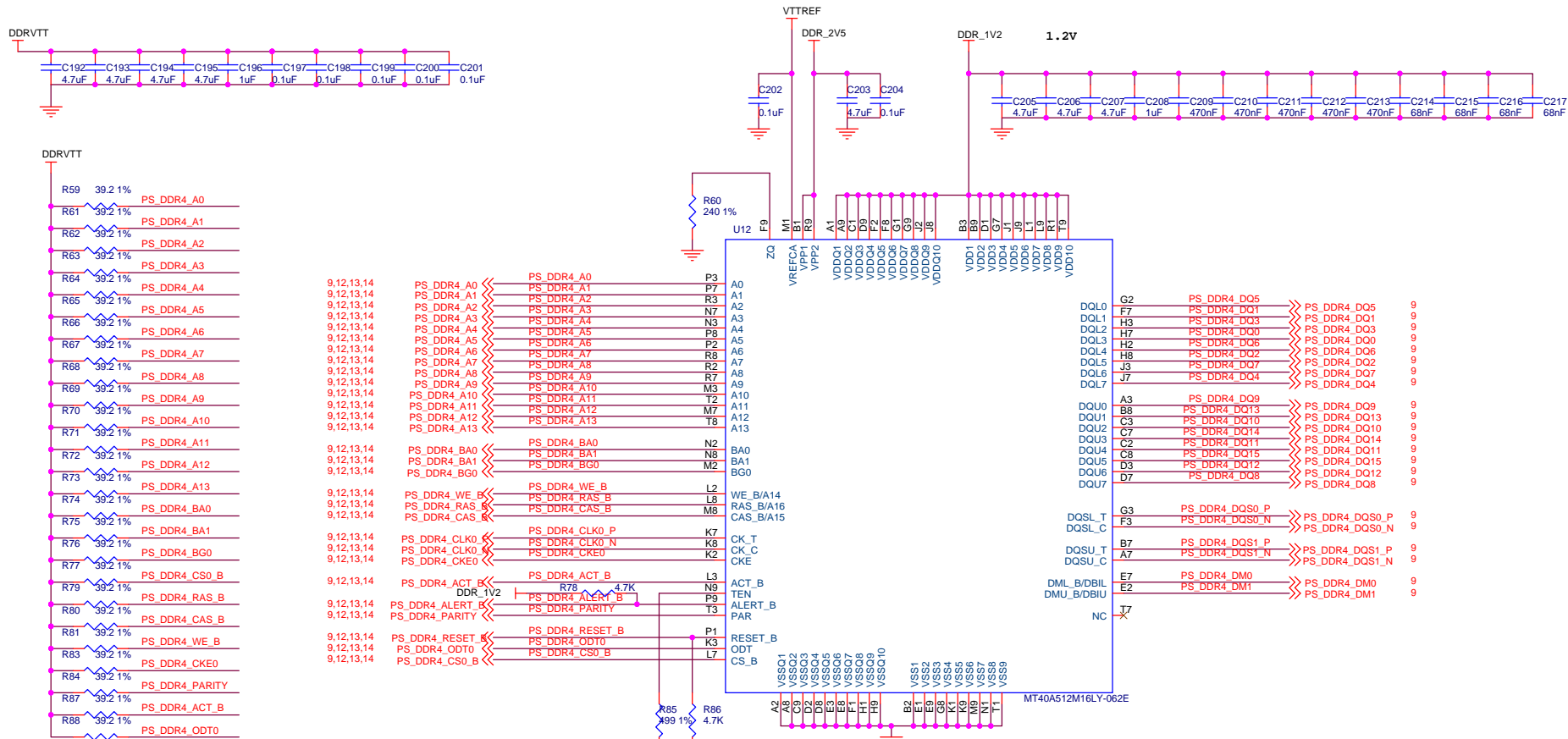


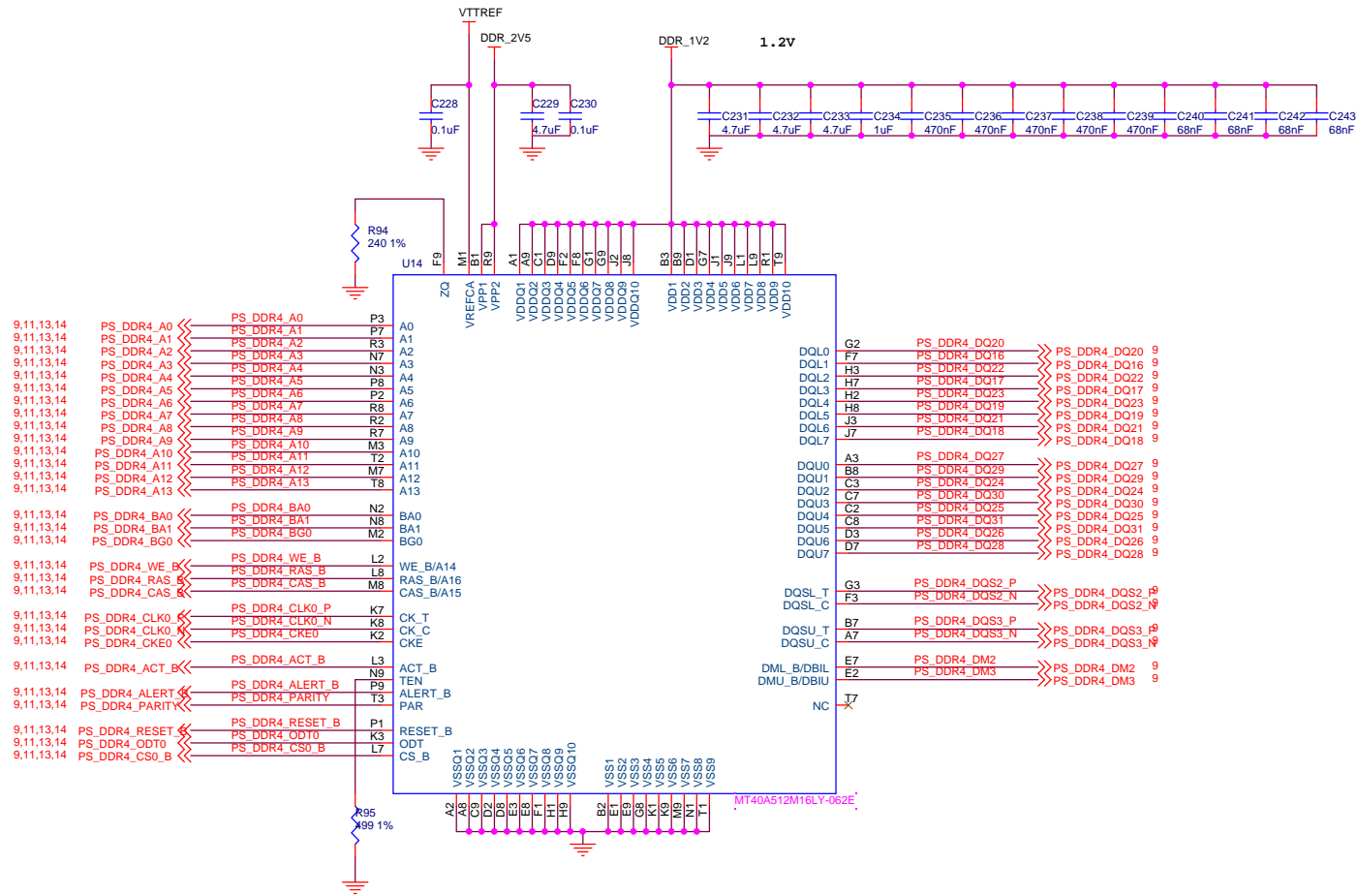


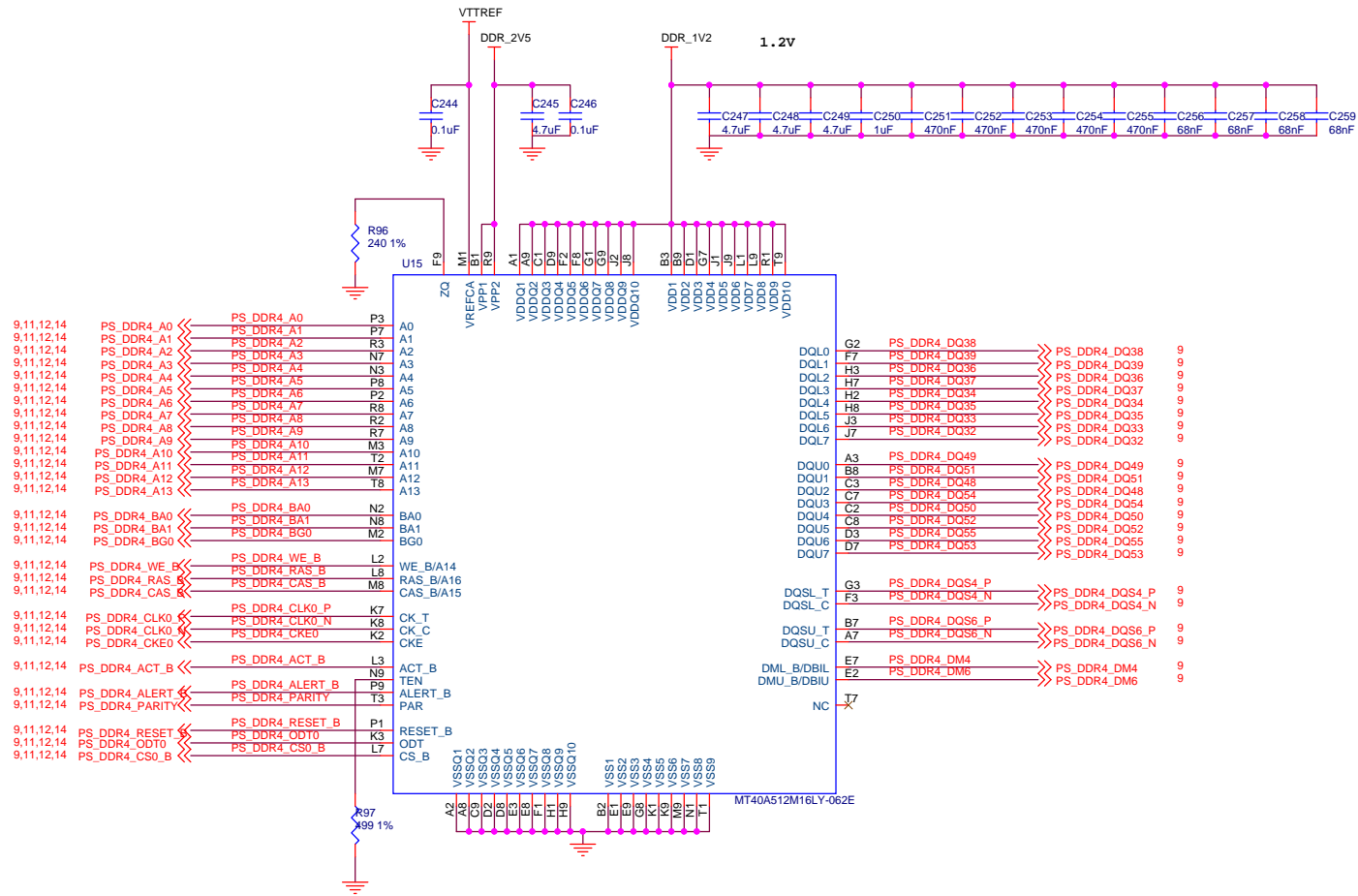


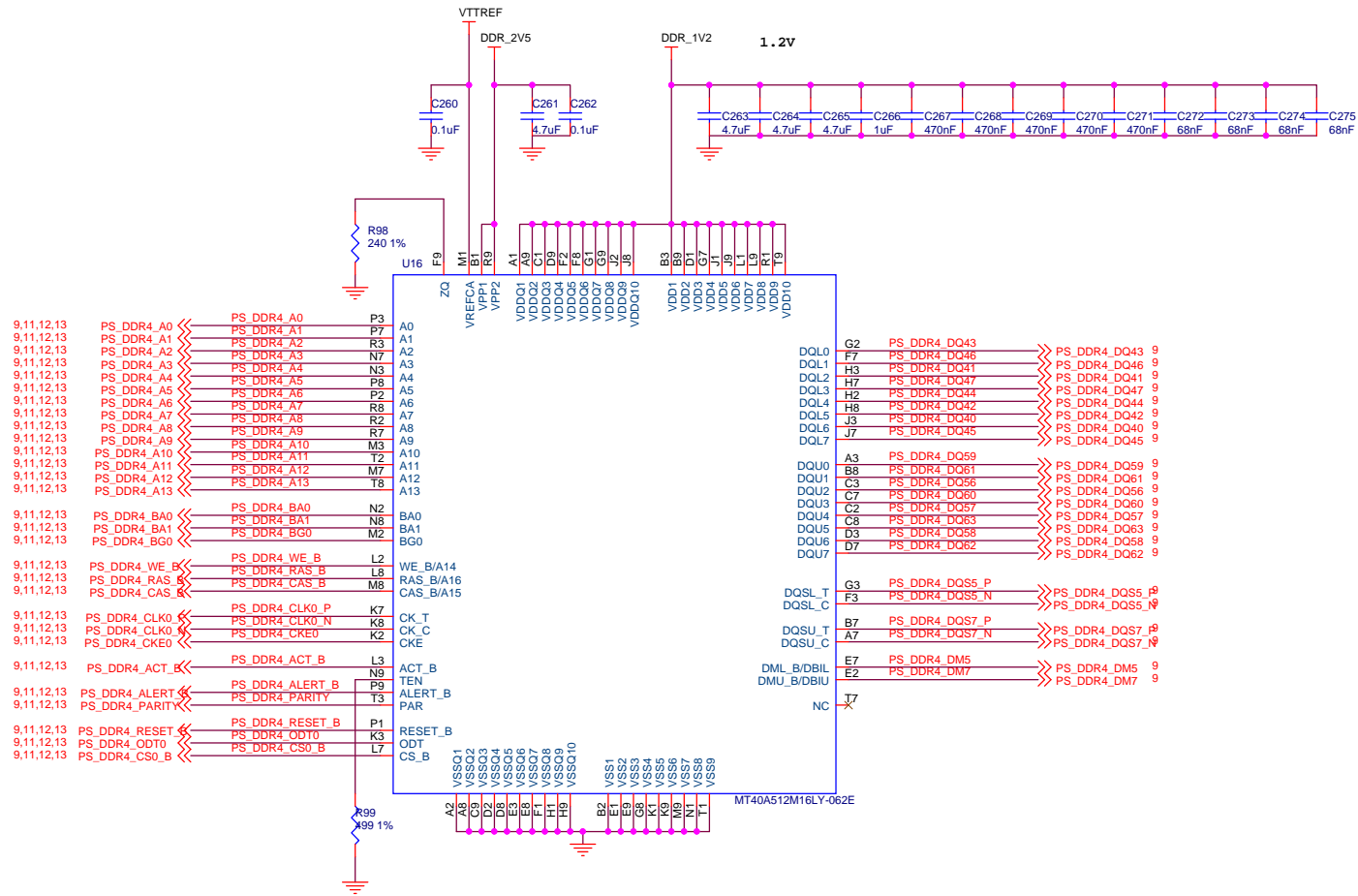


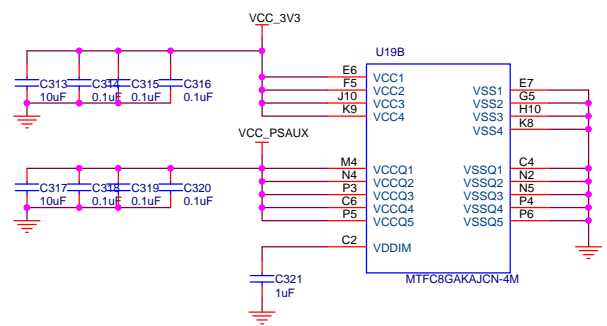
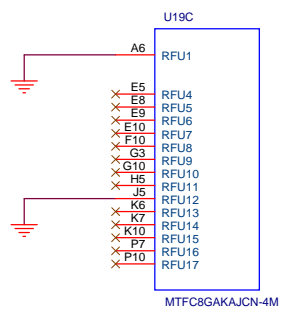
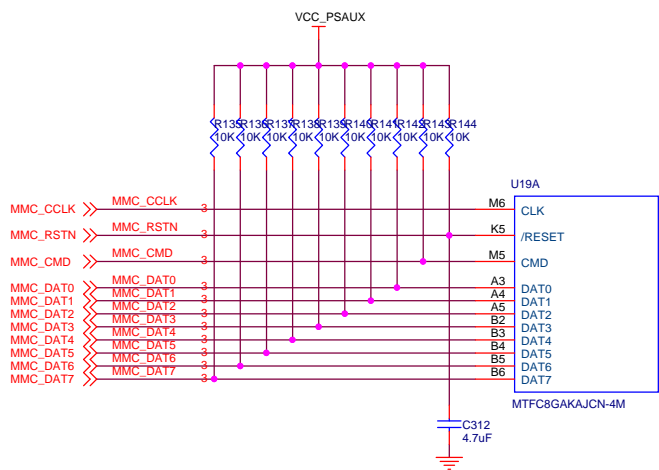
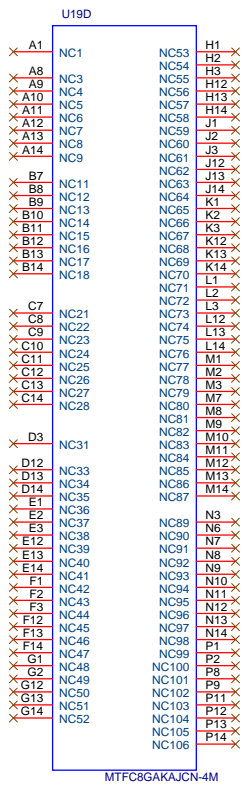






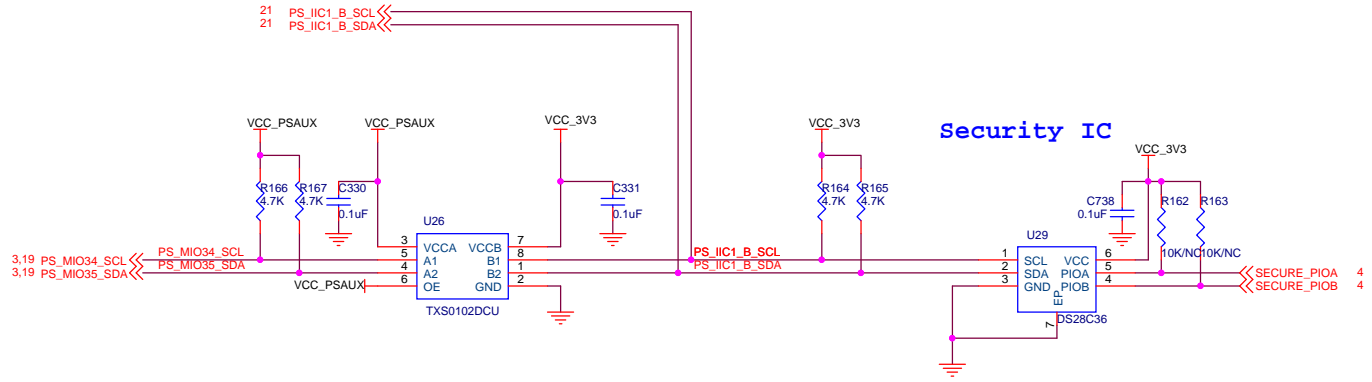
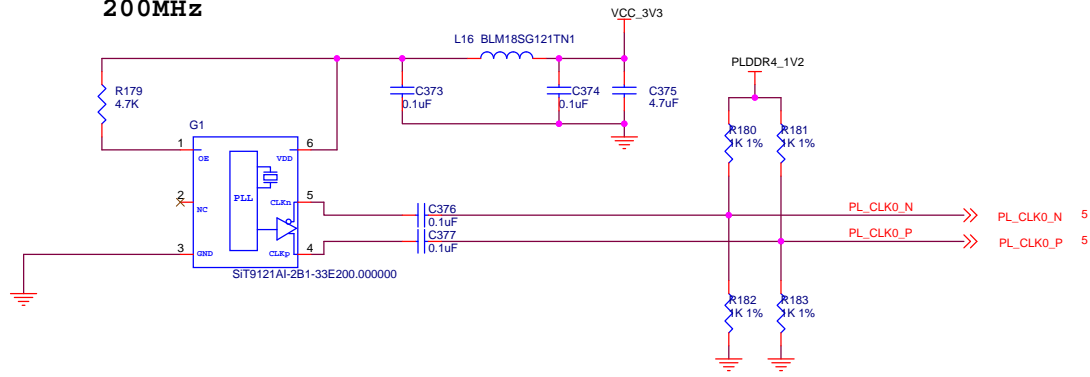






PL SYSTEM CLOCK

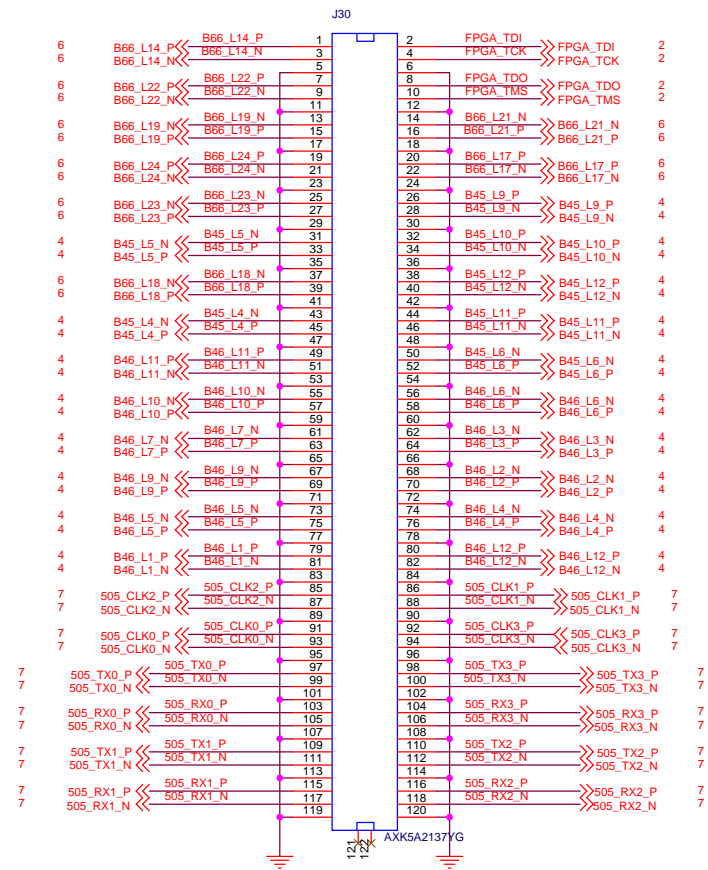
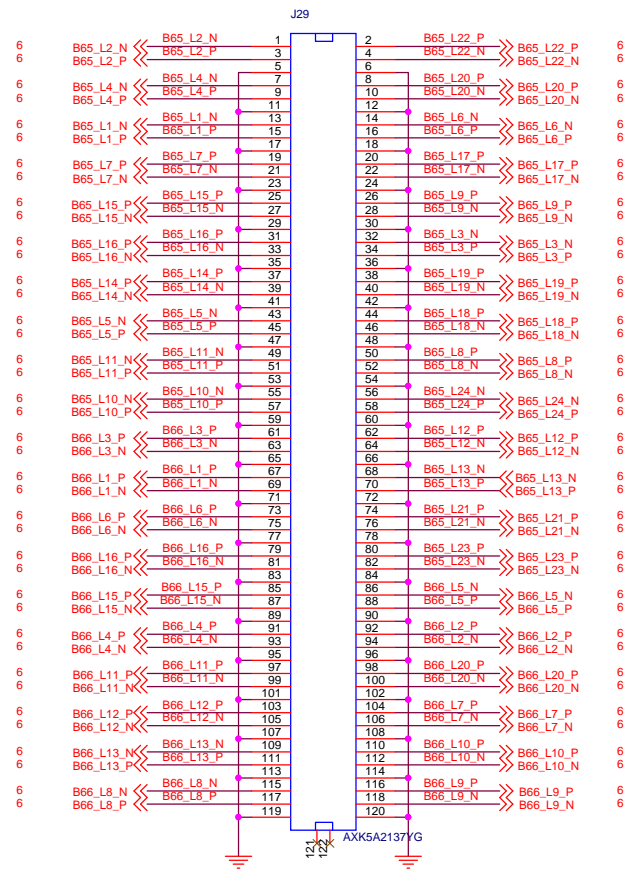
200MHz



PS_IIC1: IIC ADDRESS IS 0x1B

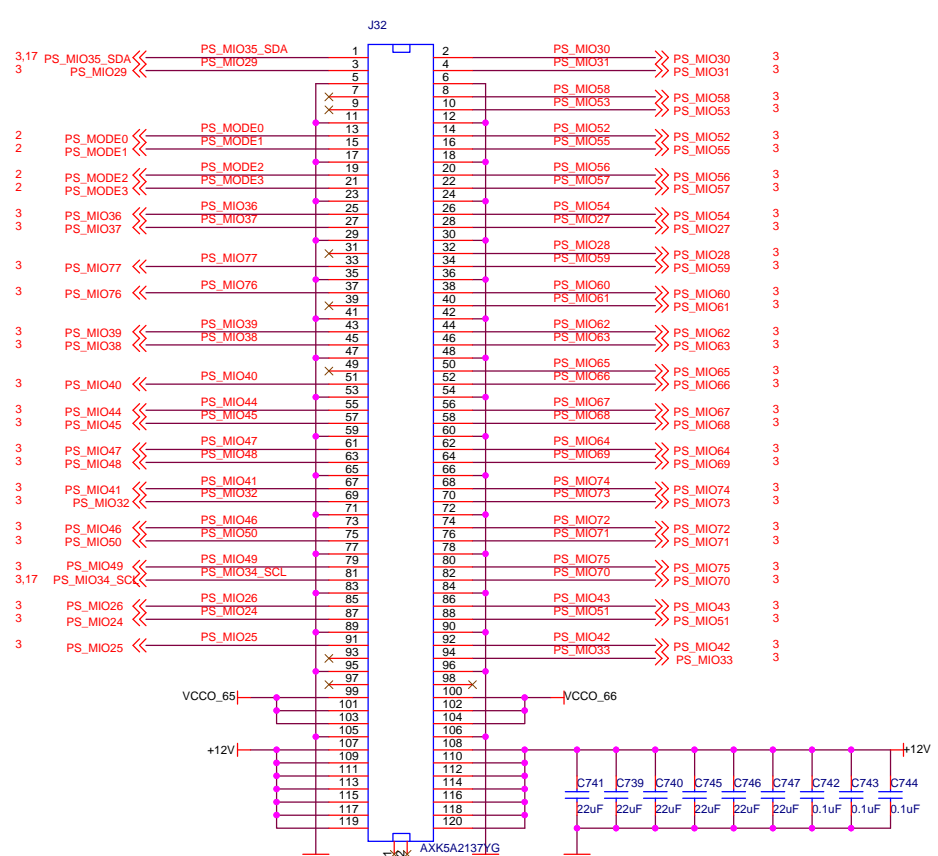
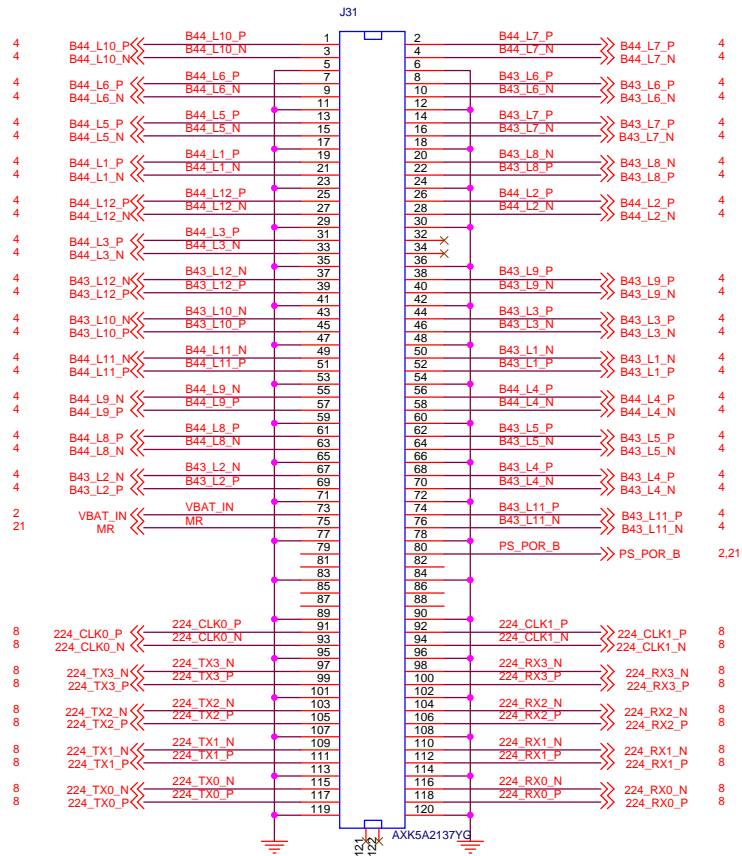
BANK65, BANK66 IO Voltage can not exceed +1.8V

BANK45, BANK46 IO Voltage is +3.3V Standard



BANK43, BANK44 IO Voltage is +3.3V Standard

The MIO Voltage is +1.8V Standard

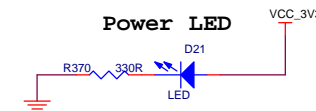
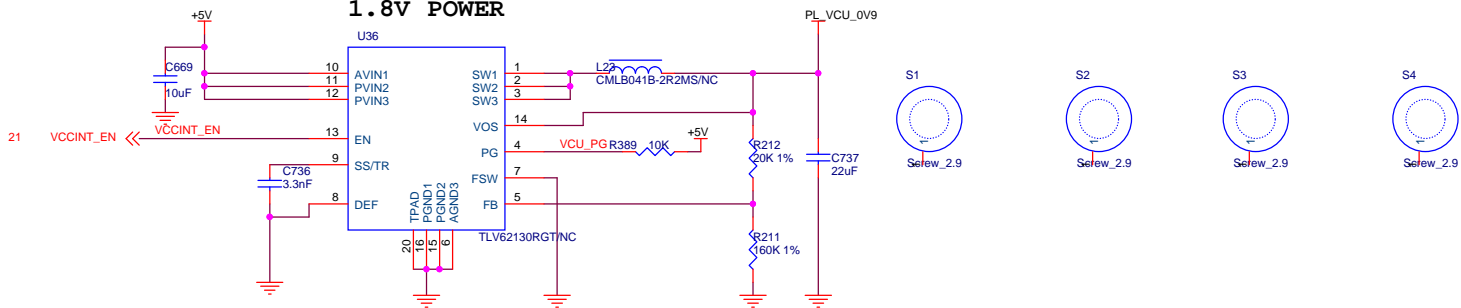


VCCO_65 VCCO_66 Power supply can not exceed 1.8V

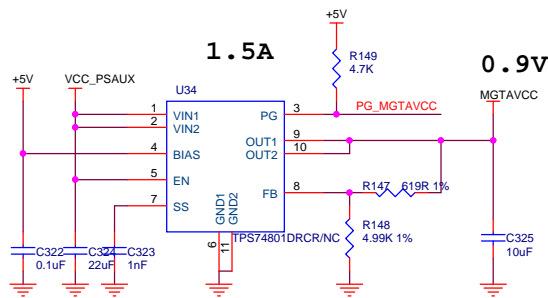
POWER ON: VCCINT/VCCINT_IO/VCCBRAM(+0.85V)->VCCINT_VCU(+0.9V)->VCCAUX/VCCAUX_IO(+1.8V)->VCCO(+3.3V, +1.8V)

POWER ON: VCCINT(+0.85V)->MGTAVCC(+09V)->MGTAVTT(+1.2V)

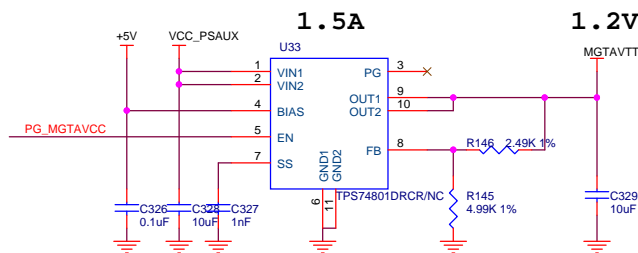
1.8V POWER



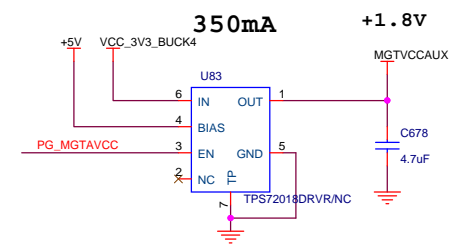
1.5A



1.5A

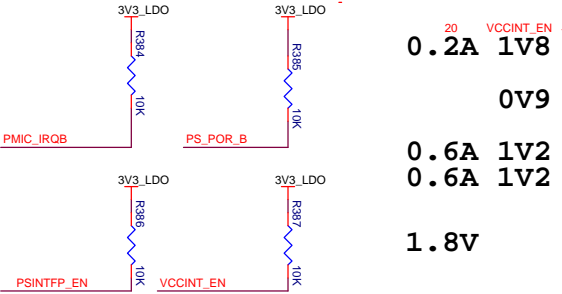
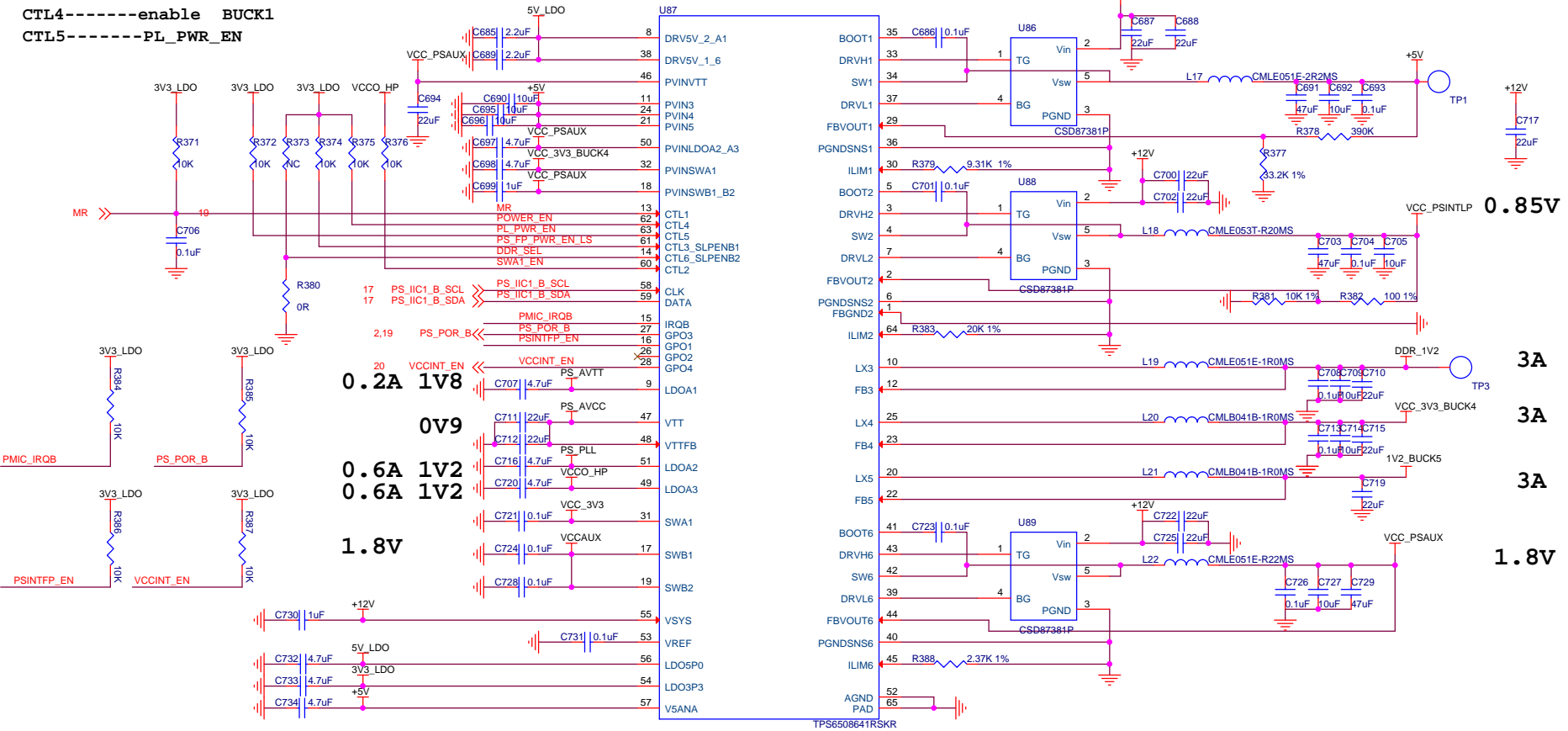


350mA

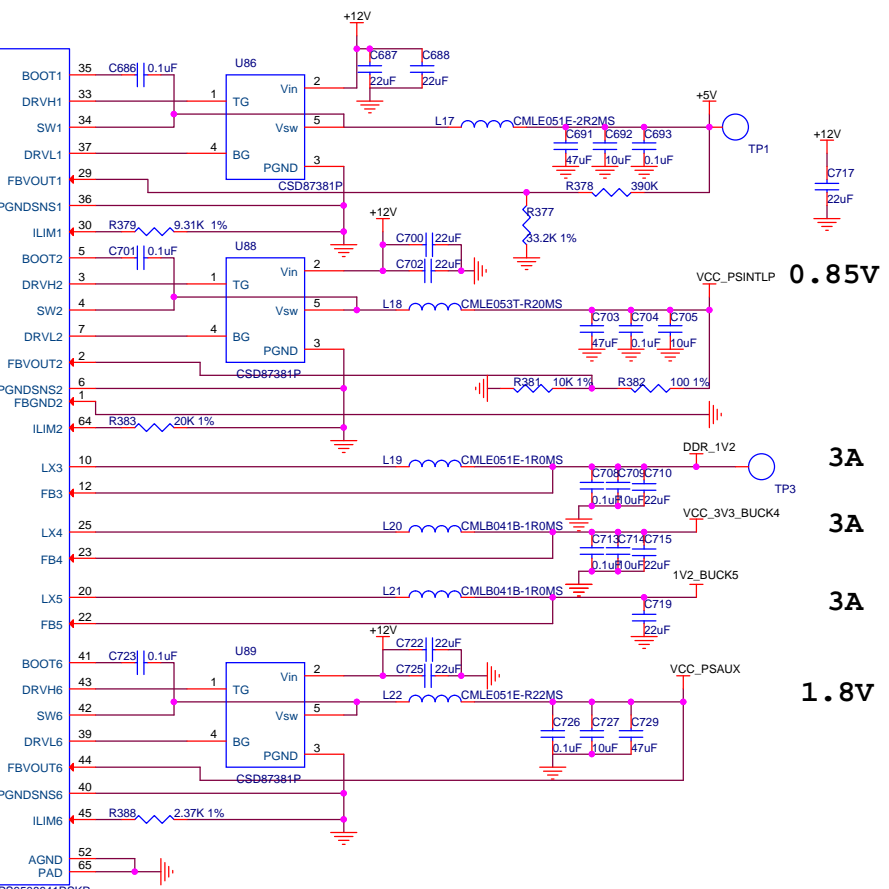
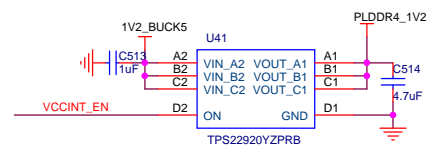
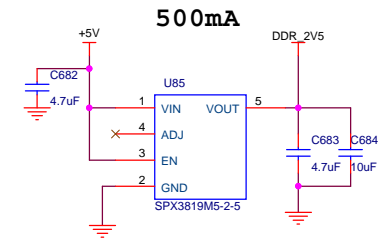
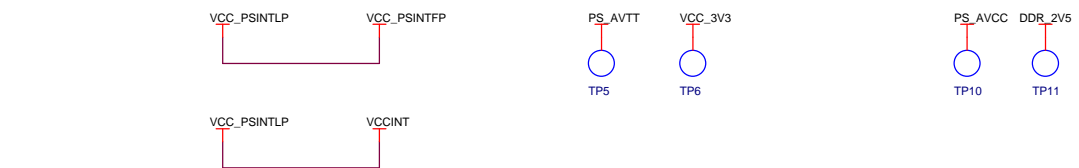


GPO1-----BUCK1_2_PG
 GPO4-----BUCK4_PG

CTL2-----enable and disable SWA1
 CTL3-----PS_FP_PWR_EN_LS
 CTL4-----enable BUCK1
 CTL5-----PL_PWR_EN



0.2A 1V8
 0V9
 0.6A 1V2
 0.6A 1V2
 1.8V



PS_IIC0: IIC ADDRESS IS 0x5E